

## NOTICE FOR BIDS

Notice is hereby given that bids will be received at the office of the Logan County Commissioners, 117 E. Columbus Avenue, Suite 100, Bellefontaine, Ohio on Tuesday, December 17, 2014 at 10:00 A.M., Ohio Standard Time for the purpose of furnishing and installing a BRIDGE SUPERSTRUCTURE AND RELATED MATERIAL according to specifications on file in the Logan County Commissioners Office.

Bids shall be submitted on forms furnished by the Logan County Engineer's Office in a sealed envelope marked "**Bridge Superstructure Bid for Bridge 24-4.58**" on the outside.

Bids will be for furnishing labor, equipment, and materials for construction of a bridge superstructure on existing abutments, and related materials. No other labor or installation is involved in this request for bids.

As specified in R.C. 153.54, a bidder must submit a bid guaranty in the form of either:

- (1) a bond for the full amount of the bid, or
- (2) a certified check, cashier's check, or letter of credit in the amount of 10% of the bid.

Bidders shall comply with the provisions of the Americans with Disabilities Act of 1990.

**"Domestic steel use requirements as specified in section 153.011 of the Revised Code apply to this project. Copies of section 153.011 of the Revised Code can be obtained from any of the offices of the department of administrative services."**

Bids will be accepted only from contractors who are pre-qualified with ODOT at the time of award in the following Work Types: 21-Level 2 Bridge, 24-Structural Steel Erection.

Bids will be awarded to the lowest and best bidder.

The Board of Commissioners reserves the right to reject any or all bids and to waive any defects in the bids.

The Notice to Bidders is posted on the Internet and may be viewed on Logan County's web page at: [www.co.logan.oh.us/commissioners/bid.htm](http://www.co.logan.oh.us/commissioners/bid.htm)

By Order of the Board of  
Logan County Commissioners

Kacy D. Kirby, Clerk/Administrator

Posted: December 3, 2013  
Advertised: December 3, 2013

**LOGAN COUNTY COMMISSIONERS  
BRIDGE SUPERSTRUCTURE AND RELATED MATERIAL**

**BID FORM  
GALVANIZED STEEL BEAM SUPERSTRUCTURE  
WITH PERMANENT STAY-IN-PLACE STEEL FORMS**

Gentlemen:

The undersigned, having full knowledge of the site, plans and specifications for the following structure(s), and the conditions of the bid, hereby agrees to furnish to the Commissioners of Logan County all services, labor, materials and equipment necessary to provide and install the bridge superstructure and related material in place, according to the plans and specifications, and to accept the total price specified below as full compensation for the work on this project.

The superstructure type shall be an all galvanized structure consisting of steel beams with permanent stay-in-place steel forms, and according to a proposal subject to approval by the Logan County Engineer's Office. The proposal shall be submitted with the bid documents. See Bid Specifications next page.

Guardrail system with tubular backup shall consist of 56.25 linear feet of deep beam rail with tubular backup on each side of structure (112.50 L.F. total). Eight (8) galvanized W6x25 posts shall be provided for ends of rail off of the bridge.

<i>BRIDGE NUMBER</i>	<i>BID</i>	<i>COMPLETION DATE</i>
<b>LOG BR. 24-4.58</b>	\$	August 1, 2014
<b>TOTAL BID</b>		

Grand Total Bid (written): \_\_\_\_\_  
\_\_\_\_\_

Respectfully submitted,

\_\_\_\_\_  
Company or Individual

\_\_\_\_\_  
Address

By \_\_\_\_\_

Title \_\_\_\_\_

Phone No. \_\_\_\_\_

Bid Date: December 17, 2014 at 10:00 A.M.

**BID SPECIFICATIONS**  
**GALVANIZED STEEL BEAM SUPERSTRUCTURE**  
**WITH PERMANENT STAY-IN-PLACE STEEL FORMS**

Note : The intent of these specifications is that the bidder shall design and install an all galvanized steel beam structure which includes shear connectors, stay-in-place steel forms, guardrail, steel plate backwall, and deck edge dams. The structure shall be erected on existing concrete abutments and, once completed, shall be ready for the installation of an 8" reinforced concrete deck by County forces. A 35 year written warranty against corrosion shall be provided for the structure. The completion date is August 1, 2014.

1. TYPE STRUCTURE: Bridge shall be a single span, all galvanized steel beam structure with permanent stay-in-place steel forms. It shall be erected in place on existing abutments. Bridge shall have a guardrail system consisting of deep beam rail with tubular back-up, mounted to the fascia beams with lookouts. Bearing plates and/or bearing pads shall be included. An 8" reinforced concrete deck composite with the beams will be installed by County forces.
2. DESIGN SPECIFICATION: AASHTO Standard Specification for Highway Bridges, current edition.
3. MATERIAL: All superstructure steel shall be Grade 50 (A572). All steel shall be hot-dipped galvanized after fabrication. All fasteners shall be high strength bolts, ASTM A325 Type 1 (Galv.) with ASTM A563 Grade DH or DH3 nuts and ASTM F436 washers if applicable.
4. CONSTRUCTION/FABRICATION: AASHTO Standard Specification for Highway Bridges, current edition; ODOT Construction and Material Specifications dated January 1, 2010.
5. WELDING: All welding shall be in accordance with AASHTO/AWS D1.5 Bridge Welding Code and the AASHTO Fracture Control, where applicable.  
  
Non-destructive tests of all welds shall be performed as follows:  
    Fillet welds – Visual – 100%  
    - MT. – 10% min. per AWS D1.5
6. SPAN LENGTH: One (1) span 49'-0" center to center of bearings.
7. CLEAR WIDTH: 28'-0" clear and face to face of guardrail.
8. BEAM SIZE AND SPACING: W24 beams shall be utilized to maintain the existing profile and shall be spaced according to the plans. Beam weight per foot shall be according to contractor design.
9. SKEW: 17° Left Forward
10. SUBSTRUCTURE: Existing capped pile abutments.
11. DESIGN LOADING: HL-93 and 60 PSF future wearing surface.

12. REMOVAL & DISPOSAL: Existing superstructure and backwall shall be removed and disposed of by others.
13. STEEL FABRICATION: All steel furnished and fabricated shall be mechanically shot blasted and cleaned prior to any fabrication to specification SSPC-SP6 Commercial Blast Cleaning.
14. FINISH: All steel shall be hot-dipped galvanized. Galvanizing shall comply with ASTM A123-780. The galvanizer shall provide a 35 year written warranty against corrosion. Any field welding or other surface defects shall be repaired with an approved cold galvanizing paint compound.
15. RAILING: Guardrail system shall consist of deep beam rail with tubular back-up per DBR-2-73, including Type 2 posts, on each side of structure except mounted directly to the fascia beams via lookouts. There must be a minimum of 29" from the surface of the roadway to the top of the guardrail. Diaphragms shall be provided behind each lookout. Eight (8) galvanized W6x25 posts shall be provided for ends of rail off of the bridge.
16. STAY-IN-PLACE FORMS: The bridge flooring required shall be permanent stay-in-place steel forms, with the option to install the reinforced concrete deck. Any field welding shall be kept to a minimum and shall be repaired with a cold galvanizing paint compound.
17. SHEAR CONNECTORS: Design shear connectors in accordance with LRFD 6.10.10. Shear connectors shall be automatic end-welded stud-type and shall be shop installed prior to galvanizing. The contractor shall be responsible for meeting all applicable OSHA requirements.
18. BACKWALL PLATE: Backwall plate shall be flush with the top and bottom flanges of the beams and extend only to the edges of the deck. The bolts attaching the backwall plate to the beams shall be 2" longer than required to allow for embedment into the concrete backwall.
19. REINFORCED CONCRETE DECK: Reinforced concrete deck will be by County forces.
20. CERTIFICATION: All bidders submitting proposals for the bridge replacement shall submit a current O.D.O.T. "Certification of Qualifications", that will show they are currently qualified to perform bridge work as required under Section 5525.02 to 5525.09 inclusive of Ohio Revised Code.
21. PLAN DRAWINGS: Three sets of detailed drawings of the proposed structure shall be submitted after the structure has been awarded.
22. PRODUCT LIABILITY INSURANCE: Bidders shall attach a certificate of an insurance company licensed to do business in the bidder's state and acceptable to the Owner, demonstrating that the company that will fabricate the bridge to be erected has products/completed operations liability insurance coverage with limits of not less than \$3,000,000 per occurrence and \$4,000,000 in the aggregate.



## GENERAL CONDITIONS

1. The **County** shall be responsible for providing abutments for the superstructure.
2. The **Contractor** shall be responsible for design of the superstructure and the permanent stay-in-place steel forms, and shall supply the County with design calculations and shop drawings stamped by a Registered Engineer in the State of Ohio.
3. The **Contractor** shall be responsible for providing the proper size crane for the project. The Contractor is encouraged to visit the site prior to bidding to determine the size of crane due to field conditions.
4. The **Contractor** shall be responsible for the installation of the superstructure on existing abutments and related material, including installation of permanent stay-in-place steel forms.
5. The **Contractor** shall submit detailed bridge load rating calculations according to Section 900 of the current ODOT Bridge Design Manual, using load resistance factor rating. The load rating calculations shall be submitted with the shop drawings. Load ratings shall be provided for an HL-93 truck for inventory and operating levels, as well as the four Ohio Legal Loads (2F1, 3F1, 4F1, and 5C1) at operating level. The contractor shall provide the County with a printed report, stamped by a Registered Professional Engineer in the State of Ohio, as well as input and output files from the software used on cd.

**OHIO REVISED CODE**  
**SECTION 3517.13**

Ohio Revised Code Section 3517.13 I(3) and J(3) requires that no agency or department of this state or any political subdivision shall enter into any contract for the purchase of goods costing more than ten thousand dollars with a corporation, individual, partnership or other unincorporated business, association, including, without limitation, a professional association organized under Chapter 1785 of the Revised Code, estate, or trust unless the contract includes a certification that the individuals named in Revised Code, estate, or trust unless the contract includes a certification that the individuals named in Revised Code Sections 3517.13 (I)(1) and (J)(1) are in compliance with the aforementioned provisions. The bidder is required to complete the affidavit provided. Failure to submit the required form with the proposal/bid package could deem the bidder's response to be non-responsive and disqualified from receiving further consideration.



- (c) Each child seven years of age to seventeen years of age of an owner of more than twenty percent of the corporation or business trust;
  - (d) Any political action committee affiliated with the corporation or business trust;
  - (e) Any combination of persons identified in (a) through (d) of this section.
5. I further certify compliance with division (J)(4)(a) of Section 3517.13 of the Ohio Revised Code and that no political action committee that is affiliated with the above-named Corporation/Business Trust has made, within the two previous calendar years, one or more contributions totaling in excess of two thousand dollars to the holder of the public office having ultimate responsibility for the award of the contract or to the public officer's campaign committee, and I understand that the holder of the public office having ultimate responsibility for the award of the contract includes any member of the Board of County Commissioners of Logan County, Ohio.
  6. I further certify that, in accordance with division (J) (4) (b) of Section 3517.13 of the Ohio Revised Code, if the above-named Corporation/Business Trust is awarded a contract by the Board of County Commissioners of Logan County, Ohio for the purchase of goods or services costing more than ten thousand dollars, no political action committee that is affiliated with the above-named Corporation/Business trust shall, beginning on the date the contract is awarded and extending until one year following the conclusion of that contract, make one or more contributions totaling in excess of two thousand dollars to the holder of the public office having ultimate responsibility for the award of the contract or to the public officer's campaign committee, and I understand that the holder of the public office having ultimate responsibility for the award of the contract includes any member of the Board of County Commissioners of Logan County, Ohio.
  7. I do hereby acknowledge that to knowingly make any false statement herein may subject me and/or the above named Corporation/Business trust to the penalties set forth in section 3517.992 of the Ohio Revised Code.

Further, Affiant sayeth naught.

\_\_\_\_\_  
Signature

\_\_\_\_\_  
Title

Sworn to and subscribed by \_\_\_\_\_ in my presence  
this \_\_\_\_\_ day of \_\_\_\_\_, \_\_\_\_\_.

\_\_\_\_\_  
Notary Public



- (h) Each child seven years of age to seventeen years of age of any person identified in (a) through (f) of this section;
  - (i) Any political action committee affiliated with the partnership or other unincorporated business, association, estate, or trust.
  - (j) Any combination of persons identified in (a) through (i) of this section.
5. I further certify compliance with division (I)(4)(a) of Section 3517.13 of the Ohio Revised Code and that no political action committee that is affiliated with the above-named Entity has made, within the two previous calendar years, one or more contributions totaling in excess of two thousand dollars to the holder of the public office having ultimate responsibility for the award of the contract or the public officer's campaign committee, and I understand that the holder of the public office having ultimate responsibility for the award of the contract includes any member of the Board of County Commissioners of Logan County, Ohio.
  6. I further certify that, in accordance with division (I)(4)(b) of Section 3517.13 of the Ohio Revised Code, if the above-named Entity is awarded a contract by the Board of County Commissioners of Logan County, Ohio for the purchase of goods or services costing more than ten thousand dollars, no political action committee that is affiliated with the above-named Entity shall, beginning on the date the contract, make one or more contributions totaling in excess of two thousand dollars to the holder of the public office having ultimate responsibility for the award of the contract or to the public officer's campaign committee, and I understand that the holder of the public office having ultimate responsibility for the award of the contract includes any member of the Board of County Commissioners of Logan County, Ohio.
  7. I do hereby acknowledge that to knowingly make any false statement herein may subject me and/or the above-named Entity to the penalties set forth in Section 3517.992 of the Ohio Revised Code.

Further, Affiant sayeth naught.

\_\_\_\_\_  
Signature

\_\_\_\_\_  
Title

Sworn to and subscribed by \_\_\_\_\_ in my presence this  
\_\_\_\_\_ day of \_\_\_\_\_, \_\_\_\_\_.

\_\_\_\_\_  
Notary Public

**COMPETITIVE BIDDER'S  
PERSONAL PROPERTY TAX AFFIDAVIT  
LOGAN COUNTY, OHIO (R.C. 5719.042)**

STATE OF OHIO:

: ss:

LOGAN COUNTY:

The undersigned, being duly sworn, says that he is or represents a competitive bidder doing business in, or with Logan County, Ohio, and that: (Check appropriate lines)

\_\_\_\_\_ He is a sole proprietorship doing business under his own name.

\_\_\_\_\_ He is a sole proprietorship doing business under the name  
of \_\_\_\_\_

\_\_\_\_\_ He is a general partner of the partnership known as  
\_\_\_\_\_

\_\_\_\_\_ He is a duly authorized officer of the corporation named  
\_\_\_\_\_

The business address of the bidder

is \_\_\_\_\_

\_\_\_\_\_ ; Telephone \_\_\_\_\_

The undersigned further says that the bidder at the time of submitting his or its bid:

\_\_\_\_\_ Was not charged with any delinquent personal taxes in Logan County, Ohio.

\_\_\_\_\_ Was charged with delinquent personal property taxes as follows:

YEAR	AMOUNT	PENALTY	INTEREST
20_____	\$_____	\$_____	\$_____
20_____	\$_____	\$_____	\$_____
20_____	\$_____	\$_____	\$_____

Signed: \_\_\_\_\_

Title: \_\_\_\_\_



STATE OF OHIO:  
: ss:  
LOGAN COUNTY :

Before me, a notary, in and for said county, personally appeared

\_\_\_\_\_ (sole proprietor doing business under his own name)

(sole proprietor doing business under the name of \_\_\_\_\_)

(general partner of the Partnership known as \_\_\_\_\_)

(duly authorized officer of the Corporation name \_\_\_\_\_),

who acknowledged that he is authorized in the premises and that his signing of this instrument is the free act and deed of himself or the organization which he represents.

In testimony whereof, I have hereunto subscribed my name and affixed my official seal at

\_\_\_\_\_, Ohio, this \_\_\_\_\_ day of \_\_\_\_\_, 2\_\_\_\_\_.

\_\_\_\_\_  
Notary Public

COMMISSIONERS:

\_\_\_\_\_ No delinquent taxes – file

\_\_\_\_\_ Delinquent taxes - sent to County Engineer

\_\_\_\_\_  
Clerk

## Prevailing Wage Determination Cover Letter

**County:** LOGAN  
**Determination Date:** 12/02/2013  
**Expiration Date:** 03/02/2014

THE FOLLOWING PAGES ARE PREVAILING RATES OF WAGES ON PUBLIC IMPROVEMENTS FAIRLY ESTIMATED TO BE MORE THAN THE AMOUNT IN O.R.C. SEC. 4115.03 (b) (1) or (2), AS APPLICABLE.

Section 4115.05 provides, in part: "Where contracts are not awarded or construction undertaken within ninety days from the date of the establishment of the prevailing wages, there shall be a redetermination of the prevailing rate of wages before the contract is awarded." The expiration date of this wage schedule is listed above for your convenience only. This wage determination is not intended as a blanket determination to be used for all projects during this period without prior approval of this Department.

Section 4115.04, Ohio Revised Code provides, in part: "Such schedule of wages shall be attached to and made a part of the specifications for the work, and shall be printed on the bidding blanks where the work is done by contract..."

The contract between the letting authority and the successful bidder shall contain a statement requiring that mechanics and laborers be paid a prevailing rate of wage as required in Section 4115.06, Ohio Revised Code.

The contractor or subcontractor is required to file with the contracting public authority upon completion of the project and prior to final payment therefore an affidavit stating that he has fully complied with Chapter 4115 of the Ohio Revised Code.

The wage rates contained in this schedule are the "Prevailing Wages" as defined by Section 4115.03, Ohio Revised Code (the basic hourly rates plus certain fringe benefits). These rates and fringes shall be a minimum to be paid under a contract regulated by Chapter 4115 of the Ohio Revised Code by contractors and subcontractors. The prevailing wage rates contained in this schedule include the effective dates and wage rates currently on file. In cases where future effective dates are not included in this schedule, modifications to the wage schedule will be furnished to the Prevailing Wage Coordinator appointed by the public authority as soon as prevailing wage rates increases are received by this office.

"There shall be posted in a prominent and accessible place on the site of work a legible statement of the Schedule of Wage Rates specified in the contract to the various classifications of laborers, workmen, and mechanics employed, said statement to remain posted during the life of such contract." Section 4115.07, Ohio Revised Code.

Apprentices will be permitted to work only under a bona fide apprenticeship program if such program exists and if such program is registered with the Ohio Apprenticeship Council.

Section 4115.071 provides that no later than ten days before the first payment of wages is due to any employee of any contractor or subcontractor working on a contract regulated by Chapter 4115, Ohio Revised Code, the contracting public authority shall appoint one of his own employees to act as the prevailing wage coordinator for said contract. The duties of the prevailing wage coordinator are outlined in Section 4115.071 of the Ohio Revised Code.

Section 4115.05 provides for an escalator in the prevailing wage rate. Each time a new rate is established, that rate is required to be paid on all ongoing public improvement projects.

A further requirement of Section 4115.05 of the Ohio Revised Code is: "On the occasion of the first pay date under a contract, the contractor shall furnish each employee not covered by a collective bargaining agreement or understanding between employers and bona fide organizations of Labor with individual written notification of the job classification to which the employee is assigned, the prevailing wage determined to be applicable to that classification, separated into the hourly rate of pay and the fringe payments, and the identity of the prevailing wage Coordinator appointed by the public authority. The contractor or subcontractor shall furnish the same notification to each affected employee every time the job classification of the employee is changed."

Work performed in connection with the installation of modular furniture may be subject to prevailing wage.

**THIS PACKET IS NOT TO BE SEPARATED BUT IS TO REMAIN COMPLETE AS IT IS SUBMITTED TO YOU.  
(Reference guidelines and forms are included in this packet to be helpful in the compliance of the  
Prevailing Wage law.)**

wh1500



**Department  
of Commerce**

Division of Industrial Compliance

John R. Kasich, Governor  
David Goodman, Director

**PREVAILING WAGE CONTRACTOR RESPONSIBILITIES**

This is a summary of prevailing wage contractors' responsibilities. For more detailed information, please refer to Chapter 4115 of the Ohio Revised Code

**General Information**

Ohio's prevailing wage laws apply to all public improvements financed in whole or in part by public funds when the total overall project cost is fairly estimated to be more than \$200,000 for new construction or \$60,000 for reconstruction, enlargement, alteration, repair, remodeling, renovation, or painting.

- a) The threshold for new construction will increase to \$250,000 beginning September 29, 2013.
- b) The threshold for reconstruction will increase to \$75,000 beginning September 29, 2013.

Ohio's prevailing wage laws apply to all public improvements financed in whole or in part by public funds when the total overall project cost is fairly estimated to be more than \$82,137 for new construction that involves roads, streets, alleys, sewers, ditches and other works connected to road or bridge construction or \$24,609 for reconstruction, enlargement, alteration, repair, remodeling, renovation, or painting of a public improvement that involves roads, streets, alleys, sewers, ditches and other works connected to road or bridge construction.

- a) Thresholds are to be adjusted biennially by the Administrator of Ohio Department of Commerce, Division of Industrial Compliance, Bureau of Wage and Hour Administration
- b) Biennial adjustments to threshold levels are made according to the Price Deflator for Construction Index, United States Department of Commerce, Bureau of the Census\*, but may not increase or decrease more than 3% for any year. (*\*Please note, in the absence of a published Price Deflator for Construction Index, the threshold adjustment is calculated using the Building Cost for Skilled Labor Index published by McGraw-Hill's Engineering News-Record.*)

**Penalties for violation** Violators are to be assessed the wages owed, plus a penalty of 100% of the wages owed.

**Intentional Violations**

If an intentional violation is determined to have occurred, the contractor is prohibited from contracting directly or indirectly with any public authority for the construction of a public improvement. Intentional violation means "a willful, knowing, or deliberate disregard for any provision" of the prevailing wage law and includes but is not limited to the following actions:

- Intentional failure to submit payroll reports as required, or knowingly submitting false or erroneous reports.
- Intentional misclassification of employees for the purpose of reducing wages.
- Intentional misclassification of employees as independent contractors or as apprentices.
- Intentional failure to pay the prevailing wage.
- Intentional failure to comply with the allowable ratio of apprentices to skilled workers as required by the regulations established by Ohio Department of Commerce, Division of Industrial Compliance, Bureau of Wage and Hour Administration.
- Intentionally employing an officer, of a contractor or subcontractor, that is known to be prohibited from contracting, directly or indirectly, with a public authority.

## Responsibilities

- A. Pay the prevailing rate of wages as shown in the wage rate schedules issued by the Ohio Department of Commerce, Division of Industrial Compliance, Bureau of Wage and Hour Administration, for the classification of work being performed.
  - 1. Wage rate schedules include all modifications, corrections, escalations, or reductions to wage rates issued for the project.
  - 2. Overtime must be paid at time and one-half the employee's base hourly rate. Fringe benefits are paid at straight time rate for all hours including overtime.
  - 3. Prevailing wages must be paid in full without any deduction for food, lodging, transportation, use of tools, etc.; unless, the employee has voluntarily consented to these deductions in writing. The public authority and the Director of Ohio Department of Commerce, Division of Industrial Compliance, Bureau of Wage and Hour Administration - must approve these deductions as fair and reasonable. Consent and approval must be obtained before starting the project.
  
- B. Use of Apprentices and Helpers cannot exceed the ratios permitted in the wage rate schedules.
  - 1. Apprentices must be registered with the U.S. Department of Labor Bureau of Apprenticeship and Training.
  - 2. Contractors must provide the Prevailing Wage Coordinator a copy of the Apprenticeship Agreement for each apprentice on the project.
  
- C. Keep full and accurate payroll records available for inspection by any authorized representative of the Ohio Department of Commerce, Division of Industrial Compliance, Bureau of Wage and Hour Administration or the contracting public authority, including the Prevailing Wage Coordinator. Records should include but are not limited to:
  - 1. Time cards, time sheets, daily work records, etc.
  - 2. Payroll ledger\journals and canceled checks\check register.
  - 3. Fringe benefit records must include program name, address, account number, and canceled checks.
  - 4. Records made in connection with the public improvement must not be removed from the State for one year following the completion of the project.
  - 5. Out-of-State Corporations must submit to the Ohio Secretary of State the full name and address of their Statutory Agent in Ohio.
  
- D. Prevailing Wage Rate Schedule must be posted on the job site where it is accessible to all employees.
  
- E. Prior to submitting the initial payroll report, supply the Prevailing Wage Coordinator with your project dates to schedule reporting of your payrolls.
  
- F. Supply the Prevailing Wage Coordinator a list of all subcontractors including the name, address, and telephone number for each.
  - 1. Contractors are responsible for their subcontractors' compliance with requirements of Chapter 4115 of the Ohio Revised Code.
  
- G. Before employees start work on the project, supply them with written notification of their job classification, prevailing wage rate, fringe benefit amounts, and the name of the Prevailing Wage Coordinator for the project. A copy of the completed signed notification should be submitted to the Prevailing Wage Coordinator.
  
- H. Supply all subcontractors with the Prevailing Wage Rates and changes.

- I. Submit certified payrolls within two (2) weeks after the initial pay period. Payrolls must include the following information:
1. Employees' names, addresses, and social security numbers.
    - (a) Corporate officers/owners/partners and any salaried personnel who do physical work on the project are considered employees. All rate and reporting requirements are applicable to these individuals.
  2. Employees' work classification.
    - (a) Be specific about the laborers and/or operators (Group)
    - (b) For all apprentices, show level/year and percent of journeyman's rate
  3. Hours worked on the project for each employee.
    - (a) The number of hours worked in each day and the total number of hours worked each week.
  4. Hourly rate for each employee.
    - (a) The minimum rate paid must be the wage rate for the appropriate classification. The Department's Wage Rate Schedule sets this rate.
    - (b) All overtime worked is to be paid at time and one-half for all hours worked more than forty (40) per week.
  5. Where fringes are paid into a bona fide plan instead of cash, list each benefit and amount per hour paid to program for each employee.
    - (a) When the amount contributed to the fringe benefit plan and the total number of hours worked by the employee on all projects for the year are documented, the hourly amount is calculated by dividing the total contribution of the employer by the total number of hours worked by the employee.
    - (b) When the amount contributed to the fringe benefit is documented but not the total hours worked, the hourly amount is calculated by **dividing the total yearly contribution by 2080**.
  6. Gross amount earned on all projects during the pay period.
  7. Total deductions from employee's wages.
  8. Net amount paid.
- J. The reports shall be certified by the contractor, subcontractor, or duly appointed agent stating that the payroll is correct and complete; and that the wage rates shown are not less than those required by the O.R.C. 4115.
- K. Provide a Final Affidavit to the Prevailing Wage Coordinator upon the completion of the project.

## STATE OF OHIO REQUEST FOR PREVAILING WAGE RATES

Important: If you wish to retain a copy of this form for your records, please print it prior to clicking on the "Submit" button. When you click the "Submit" button, a prompt should appear which will allow you to obtain the necessary wage rates by clicking on the "view wage rates" button. Submitting this form notifies the Bureau of Labor and Worker Safety of your project. Wage rates will not be sent to you by mail as a result of the submission, rather you should obtain them by clicking on the "view wage rates" button.

### Public Authority Information

<b>Owner/Public Authority Name:</b>	LOGAN COUNTY ENGINEER'S OFFICE	<b>Date: 12/02/2013</b> This form must be filled out completely & correctly for us to process your request. Forms not completed correctly will be returned to the sender.
<b>Department Division or Agency:</b>		
<b>Street Address:</b>	1991 County Road 13	
<b>Address 2:</b>		ODOC Date Stamp
<b>City, OH</b>	Bellefontaine, OH	
<b>ZIP:</b>	43311	
<b>Email:</b>	aharper@co.logan.oh.us It is required that you list your e-mail address here.	
<b>County of Public Authority:</b>	LOGAN	
<b>P.A. Phone:</b>	9375922791	

### Project Information

<b>Project Name:</b>	Bridge 24-4.58 (Superstructure)	ODOC Date Stamp (Bld Tab)
<b>Site Address:</b>	CR 24	
<b>City, OH</b>	Bellefontaine, OH	
<b>ZIP:</b>	43311	
<b>County of Project:</b>	LOGAN	
<b>Prevailing Wage Coordinator Name</b>	Arthur Harper	
<b>Address:</b>	PO Box 427	
<b>City,</b>	Bellefontaine	
<b>ZIP:</b>	43311	
<b>Phone:</b>	9375922791	
<b>Issuing Authority of Bonds:</b>	N/A	



<b>Estimated Total Overall Project Cost:</b>	\$ 123, 400
<b>Type of Financing:</b>	N/A
<b>Type of Construction:</b>	<input type="radio"/> New Construction <input checked="" type="radio"/> Old Construction
<b>This Project is</b>	<input type="radio"/> Residential <input checked="" type="radio"/> Commercial
<b>Expected Date of Contract Award:</b>	12/17/2014 example 05/31/98
<b>Projected Completion Date:</b>	08/01/2014 example 05/31/98
<b>Project Comments:</b>	(optional)

Important: If you wish to retain a copy of this form for your records, please print it prior to clicking on the "Submit" button. When you click the "Submit" button, a prompt should appear which will allow you to obtain the necessary wage rates by clicking on the "view wage rates" button. Submitting this form notifies the Bureau of Labor and Worker Safety of your project. Wage rates will not be sent to you by mail as a result of the submission, rather you should obtain them by clicking on the "view wage rates" button.

Submit

Please contact our Webmaster with questions or comments.

LAW 1002

# Prevailing Wage Rate Skilled Crafts

Name of Union: Ironworker Local 290

Change # : LCN01-2013fbLoc290

Craft : Ironworker Effective Date : 10/16/2013 Last Posted : 10/16/2013

	BHR		Fringe Benefit Payments					Irrevocable Fund		Total PWR	Overtime Rate	
			H&W	Pension	App Tr.	Vac.	Annuity	Other	LECET (*)			MISC (*)
Classification												
Ironworker Structural	\$26.23		\$6.20	\$8.60	\$0.45	\$0.00	\$3.43	\$0.25	\$0.00	\$0.00	\$45.16	\$58.28
Welder	\$26.23		\$6.20	\$8.60	\$0.45	\$0.00	\$3.43	\$0.25	\$0.00	\$0.00	\$45.16	\$58.28
Fence Erector	\$26.23		\$6.20	\$8.60	\$0.45	\$0.00	\$3.43	\$0.25	\$0.00	\$0.00	\$45.16	\$58.28
Reinforcing Rods	\$26.23		\$6.20	\$8.60	\$0.45	\$0.00	\$3.43	\$0.25	\$0.00	\$0.00	\$45.16	\$58.28
Machinery Mover	\$26.23		\$6.20	\$8.60	\$0.45	\$0.00	\$3.43	\$0.25	\$0.00	\$0.00	\$45.16	\$58.28
Sheeter	\$26.23		\$6.20	\$8.60	\$0.45	\$0.00	\$3.43	\$0.25	\$0.00	\$0.00	\$45.16	\$58.28
Metal Building Erector	\$26.23		\$6.20	\$8.60	\$0.45	\$0.00	\$3.43	\$0.25	\$0.00	\$0.00	\$45.16	\$58.28
Rigger & Erector	\$26.23		\$6.20	\$8.60	\$0.45	\$0.00	\$3.43	\$0.25	\$0.00	\$0.00	\$45.16	\$58.28
Apprentice	Percent											
1st year	59.98	\$15.73	\$6.20	\$8.60	\$0.45	\$0.00	\$3.43	\$0.25	\$0.00	\$0.00	\$34.66	\$42.53
2nd year	70.00	\$18.36	\$6.20	\$8.60	\$0.45	\$0.00	\$3.43	\$0.25	\$0.00	\$0.00	\$37.29	\$46.47
3rd year	80.00	\$20.98	\$6.20	\$8.60	\$0.45	\$0.00	\$3.43	\$0.25	\$0.00	\$0.00	\$39.91	\$50.41
4th year	89.98	\$23.60	\$6.20	\$8.60	\$0.45	\$0.00	\$3.43	\$0.25	\$0.00	\$0.00	\$42.53	\$54.33
1st Year Rodman	64.98	\$17.04	\$6.20	\$8.60	\$0.45	\$0.00	\$3.43	\$0.25	\$0.00	\$0.00	\$35.97	\$44.50
2nd Year Rodman	80.00	\$20.98	\$6.20	\$8.60	\$0.45	\$0.00	\$3.43	\$0.25	\$0.00	\$0.00	\$39.91	\$50.41

**Special Calculation Note :** No special calculations for this skilled craft wage rate are required at this time.

**Ratio :** **Jurisdiction ( \* denotes special jurisdictional note ) :**

3 Journeymen to 1 Apprentice

ALLEN\*, AUGLAIZE, BUTLER\*,  
CHAMPAIGN\*, CLARK, CLINTON, DARKE,  
FAYETTE\*, GREENE, HARDIN\*, HIGHLAND\*,  
LOGAN\*, MADISON\*, MERCER\*, MIAMI,  
MONTGOMERY, PREBLE, SHELBY, VAN  
WERT\*, WARREN\*

**Special Jurisdictional Note :** Allen County Twps included are: Auglaize, Perry, Shawnee, Amanda, Spencer, Marion, Sugar Creek, American, Bath, Jackson. Butler County Twps included are: Milford, Wayne, Madison, Lemon. Champaign Cnty Twps included are: Union, Urbana, Jackson, Concord, Salem, Mad River, Johnson, Harrison, Adams. Fayette County Twps included are: Green, Jasper, Concord, Jefferson. Hardin County Twps included are: Round Head, Marion, Liberty. Highland County Twps included are: Fairfield, Penn, Union, Marshall, Liberty, Paint, Brush Creek. Logan County Twps included are: Richland, Stokes, Bloomfield, Washington, Harrison, McArthur, Lake, Liberty, Pleasant, Miami. Madison County Twps included are: Stokes. Mercer County Twps included are: Dublin, Washington, Jefferson, Recovery, Gibson, Union, Liberty, Butler, Granville, Center, Hopewell, Franklin, Marion. VanWert County Twps included are: Jennings. Warren County Twps included are: Franklin, Clear Creek, Turtle Creek, Wayne, Massie, Washington, Salem, Union.

**Details :**

Structural Iron Work but not limited to:field fabrication, all loading to and including the erecting,rigging,assembly,dismantling, placing, temporary and permanent securing by any means of all structural iron,steel,ornamental lead,bronze,brass,copper,aluminum,glass all ferrous and non ferrous metal and composite material, precast prestressed and post-stressed concrete structures. Bridges and bridge rails,bridge viaducts,bucks bulkheads,bumper and bumper post,canopies and unistrut canopies,corrugated ferrous and non ferrous sheets when attached to steel frames,columns,beams,bar-joists,trusses,grinders,roof decking,electrical supports,elevator cars,elevator fronts and enclosures,erection of steel towers,flag poles, gymnasium equipment,stadium and arena seating,jail cell work,jail cell beds,benches,bunks,chairs,tables,mirrors,jail cell access doors,rigging and installation of machinery and equipment(erecting,aligning,anchoring and dismantling, erection and dismantling of tower cranes,derrick monorail systems, Chicago booms,overhead cranes,gantries,material and personnel hoists,tanks,hoppers and conveyors. All pre-engineered metal buildings and their entirety including siding,roofing, gutters, downspouts and erection of all.

Ornamental Iron Work but not limited to:all work in connection with field fabrication,handling including loading/off

loading,sorting,cutting,fastening,anchoring,bending,hoisting,placing,burning,welding,and tying,dismantling of all materials used in miscellaneous iron or steel, for stairs,hand railings,rolling doors, rolling gates,rolling shutters,fence,windows,curtain wall,erection and welding of all metal, sash,architectural and ornamental treatments, but not necessarily limited to all sizes and types of ornamental,steel iron,lead,bronze,brass,copper,aluminum,all ferrous and non ferrous metals and composite materials

Fence Erector Iron Worker but not limited to: All work in connection with the field fabrication and erection of chain link fence,which includes but not limited to the loading and of the fence fabric and posts also the installation of the above.





3 Journeymen to 1 Apprentice

ALLEN\*, AUGLAIZE, BUTLER\*,  
CHAMPAIGN\*, CLARK, CLINTON, DARKE,  
FAYETTE\*, GREENE, HARDIN\*, HIGHLAND\*,  
LOGAN\*, MADISON\*, MERCER\*, MIAMI,  
MONTGOMERY, PREBLE, SHELBY, VAN  
WERT\*, WARREN\*

**Special Jurisdictional Note :** Allen County Twps included are: Auglaize, Perry, Shawnee, Amanda, Spencer, Marion, Sugar Creek, American, Bath, Jackson. Butler County Twps included are: Milford, Wayne, Madison, Lemon. Champaign Cnty Twps included are: Union, Urbana, Jackson, Concord, Salem, Mad River, Johnson, Harrison, Adams. Fayette County Twps included are: Green, Jasper, Concord, Jefferson. Hardin County Twps included are: Round Head, Marion, Liberty. Highland County Twps included are: Fairfield, Penn, Union, Marshall, Liberty, Paint, Brush Creek. Logan County Twps included are: Richland, Stokes, Bloomfield, Washington, Harrison, McArthur, Lake, Liberty, Pleasant, Miami. Madison County Twps included are: Stokes. Mercer County Twps included are: Dublin, Washington, Jefferson, Recovery, Gibson, Union, Liberty, Butler, Granville, Center, Hopewell, Franklin, Marion. VanWert County Twps included are: Jennings. Warren County Twps included are: Franklin, Clear Creek, Turtle Creek, Wayne, Massie, Washington, Salem, Union.

**Details :**

Structural Iron Work but not limited to:field fabrication, all loading to and including the erecting,rigging,assembly,dismantling, placing, temporary and permanent securing by any means of all structural iron,steel,ornamental lead,bronze,brass,copper,aluminum,glass all ferrous and non ferrous metal and composite material, precast prestressed and post-stressed concrete structures. Bridges and bridge rails,bridge viaducts,bucks bulkheads,bumper and bumper post,canopies and unistrut canopies,corrugated ferrous and non ferrous sheets when attached to steel frames,columns,beams,bar-joists,trusses,grinders,roof decking,electrical supports,elevator cars,elevator fronts and enclosures,erection of steel towers,flag poles, gymnasium equipment,stadium and arena seating,jail cell work,jail cell beds,benches,bunks,chairs,tables,mirrors,jail cell access doors,rigging and installation of machinery and equipment(erecting,aligning,anchoring and dismantling, erection and dismantling of tower cranes,derrick monorail systems, Chicago booms,overhead cranes,gantries,material and personnel hoists,tanks,hoppers and conveyors. All pre-engineered metal buildings and their entirety including siding,roofing, gutters, downspouts and erection of all.

Ornamental Iron Work but not limited to:all work in connection with field fabrication,handling including loading/off

loading,sorting,cutting,fastening,anchoring,bending,hoisting,placing,burning,welding,and tying,dismantling of all materials used in miscellaneous iron or steel, for stairs,hand railings,rolling doors, rolling gates,rolling shutters,fence,windows,curtain wall,erection and welding of all metal, sash,architectural and ornamental treatments, but not necessarily limited to all sizes and types of ornamental,steel iron,lead,bronze,brass,copper,aluminum,all ferrous and non ferrous metals and composite materials

Fence Erector Iron Worker but not limited to: All work in connection with the field fabrication and erection of chain link fence,which includes but not limited to the loading and of the fence fabric and posts also the installation of the above.

# Prevailing Wage Rate Skilled Crafts

Name of Union: Operating Engineers - Building Local 18 - Zone III

Change # : LCN01-2013fbLoc18zone3

Craft : Operating Engineer Effective Date : 08/07/2013 Last Posted : 08/07/2013

	BHR		Fringe Benefit Payments					Irrevocable Fund		Total PWR	Overtime Rate	
			H&W	Pension	App Tr.	Vac.	Annuity	Other	LECET (*)			MISC (*)
Classification												
Operator Class 1	\$31.44	\$6.91	\$6.00	\$0.60	\$0.00	\$0.00	\$0.04	\$0.00	\$0.00	\$44.99	\$60.71	
Class 2	\$31.32	\$6.91	\$6.00	\$0.60	\$0.00	\$0.00	\$0.04	\$0.00	\$0.00	\$44.87	\$60.53	
Class 3	\$30.28	\$6.91	\$6.00	\$0.60	\$0.00	\$0.00	\$0.04	\$0.00	\$0.00	\$43.83	\$58.97	
Class 4	\$29.10	\$6.91	\$6.00	\$0.60	\$0.00	\$0.00	\$0.04	\$0.00	\$0.00	\$42.65	\$57.20	
Class 5	\$23.64	\$6.91	\$6.00	\$0.60	\$0.00	\$0.00	\$0.04	\$0.00	\$0.00	\$37.19	\$49.01	
Class 6	\$31.69	\$6.91	\$6.00	\$0.60	\$0.00	\$0.00	\$0.04	\$0.00	\$0.00	\$45.24	\$61.09	
Class 7	\$31.94	\$6.91	\$6.00	\$0.60	\$0.00	\$0.00	\$0.04	\$0.00	\$0.00	\$45.49	\$61.46	
Class 8	\$32.44	\$6.91	\$6.00	\$0.60	\$0.00	\$0.00	\$0.04	\$0.00	\$0.00	\$45.99	\$62.21	
Class 9	\$32.69	\$6.91	\$6.00	\$0.60	\$0.00	\$0.00	\$0.04	\$0.00	\$0.00	\$46.24	\$62.58	
Apprentice	Percent											
1st Year	50.00	\$15.72	\$6.91	\$6.00	\$0.60	\$0.00	\$0.00	\$0.04	\$0.00	\$0.00	\$29.27	\$37.13
2nd Year	60.00	\$18.86	\$6.91	\$6.00	\$0.60	\$0.00	\$0.00	\$0.04	\$0.00	\$0.00	\$32.41	\$41.85
3rd Year	70.00	\$22.01	\$6.91	\$6.00	\$0.60	\$0.00	\$0.00	\$0.04	\$0.00	\$0.00	\$35.56	\$46.56
4th Year	80.00	\$25.15	\$6.91	\$6.00	\$0.60	\$0.00	\$0.00	\$0.04	\$0.00	\$0.00	\$38.70	\$51.28
Field Mechanic Trainee												
1st Year	50.00	\$15.72	\$6.91	\$6.00	\$0.60	\$0.00	\$0.00	\$0.04	\$0.00	\$0.00	\$29.27	\$37.13
2nd Year	60.00	\$18.86	\$6.91	\$6.00	\$0.60	\$0.00	\$0.00	\$0.04	\$0.00	\$0.00	\$32.41	\$41.85
3rd Year	70.00	\$22.01	\$6.91	\$6.00	\$0.60	\$0.00	\$0.00	\$0.04	\$0.00	\$0.00	\$35.56	\$46.56
4th Year	80.00	\$25.15	\$6.91	\$6.00	\$0.60	\$0.00	\$0.00	\$0.04	\$0.00	\$0.00	\$38.70	\$51.28

**Special Calculation Note :** Other: Education & Safety Fund is \$0.04 per hour.

**Ratio :**

For every (3) Operating Engineer Journeymen employed by the company ,there may be employed (1) Registered Apprentice. An apprenice, while

**Jurisdiction ( \* denotes special jurisdictional note ) :**

ADAMS, ALLEN, ASHLAND, ATHENS, AUGLAIZE, BELMONT, BROWN, BUTLER, CARROLL, CHAMPAIGN, CLARK,

employed as part of a crew per Article VIII, paragraph 77, will not be subject to the apprenticeship ratios in this collective bargaining agreement. On jobs where maintenance engineers are to be employed, for every (2) Class 2 Mechanics there may be (1) Mechanic Trainee & so fourth.

CLERMONT, CLINTON, COSHOCTON, CRAWFORD, DARKE, DEFIANCE, DELAWARE, FAIRFIELD, FAYETTE, FRANKLIN, FULTON, GALLIA, GREENE, GUERNSEY, HAMILTON, HANCOCK, HARDIN, HARRISON, HENRY, HIGHLAND, HOCKING, HOLMES, JACKSON, JEFFERSON, KNOX, LAWRENCE, LICKING, LOGAN, MADISON, MARION, MEIGS, MERCER, MIAMI, MONROE, MONTGOMERY, MORGAN, MORROW, MUSKINGUM, NOBLE, OTTAWA, PAULDING, PERRY, PICKAWAY, PIKE, PREBLE, PUTNAM, RICHLAND, ROSS, SANDUSKY, SCIOTO, SENECA, SHELBY, STARK, TUSCARAWAS, UNION, VAN WERT, VINTON, WARREN, WASHINGTON, WAYNE, WILLIAMS, WYANDOT

### Special Jurisdictional Note :

#### Details :

\*\*Apprentices will receive a 10% increase on top of the percentages listed above provided they are operating mobile equipment. Mechanic Trainees will receive 10% increase if required to have CDL

Class 1 - Barrier Moving Machine; Boiler Operators or Compressor Operators, when compressor or boiler is mounted on crane (Piggyback Operation); Boom Trucks (all types); Cableways Cherry Pickers; Combination - Concrete Mixers & Towers; All Concrete Pumps with Booms; Cranes (all types) Derricks (all types); Draglines Dredges (dipper, clam or suction) 3-man crew; Elevating Graders or Euclid Loaders; Floating Equipment; Gradalls; Helicopter Operators; hoisting building materials; Helicopter Winch Operators, Hoisting building materials; Hoes (All types); Hoists (with two or more drums in use); Hydraulic Gantry (lift system); Laser Finishing Machines; Lift Slab or Panel Jack Operators; Locomotives (all types); Maintenance Engineers (Mechanic and/or Welder); Mixers, paving (multiple drum); Mobile Concrete Pumps, with booms, Panelboards, (all types on site); Pile Drivers; Power Shovels; Prentice Loader; Rail Tamper (with automatic lifting and aligning device); Rotary Drills (all) used on caissons for foundations and sub-structure work; Side Booms; Slip Form Pavers; Straddle Carriers (Building Construction on site); Tug Boats. Horizontal Directional Drill, Rough Terrain Fork-lift with Winch/Hoist, Laser Screed, and Like equipment; Compact Cranes, track or rubber over 4,000 pound capacity, self-erecting cranes: stationary, track or truck (all configurations) bucket trench machines (over 24 " wide).

Class 2 - Asphalt Pavers; Bobcat-type and/or skid steer loader with hoe attachment greater than 7000 lbs. Bulldozers; CMI type Equipment; Endloaders; Hydro Milling Machine; Kolman-type Loaders (Dirt Loading); Lead Greasemen; Mucking Machines; Pettibone-Rail Equipment; Power Graders; Power Scoops; Power Scrapers; Push Cats; Vermeer Type Concrete Saw; All rotomills, grinders & planers of all types. Articulating/end dumps (minus \$4.00/hour from Class 2 rate)

Class 3 - A Frames; Air Compressors, Pressurizing Shafts or Tunnels; All Asphalt Rollers; Bobcat-type and/or skid steer loader with or without attachments; Boilers (15 lbs pressure and over); All concrete Pumps (without booms with 5 inch system); Fork Lifts (except masonry); Highway Drillers - all types (with integral power); Hoists (with one drum); House Elevators (except those automatic call button controlled); Man lifts; Mud Jacks; Pressure Grouting; Pump Operators (installing or operating Well



Points or other types of Dewatering Systems); Pumps (4 inches and over discharge); Railroad Tie Inserter/Remover; Rotator (Lime-Soil Stabilizer); Submersible Pumps (4 inches and over discharge); Switch & Tie Tampers (without lifting and aligning device); Trench Machines (24 inches and under); Utility Operators; Material hoist/elevators.

Class 4 - Ballast Re-locator; Backfillers and Tampers; Batch Plant Operators; Bar and Joint Installing Machines; Bull Floats; Burlap and Curing Machines; Clefplanes; Compressors, on building construction; Concrete Spreader; Conveyors, used for handling building materials; Concrete Mixers, one bag capacity (side loader); Concrete Mixers, capacity more than one bag; Crushers; Deck Hands; Drum Fireman (in Asphalt Plant); Farm type tractors pulling attachments; Finishing Machines; Form Trenchers; Generators; Guniting Machines; Hydro-Seeders; Pavement Breakers (hydraulic or cable); Post Drivers; Post Hole Diggers; Pressure Pumps (over 1/2 inch discharge); Road Widening Trenchers; Rollers (except asphalt); All Concrete pumps (without Boom with 4 inch or smaller systems); Self-Propelled Power Spreaders; Concrete Spreaders; Self-Propelled Sub-graders; Shotcrete Machines; Tire Repairmen; Tractors, pulling sheepfoot rollers or graders; VAC/ALLS; Vibratory Compactors, with integral power; Welder Operators.

Class 5 - Boilers (less than 15 lbs. pressure); Inboard/outboard Motor Boat Launches; Light Plant Operators; Masonry Fork Lifts; Oilers/Helpers; Power Driven Heaters (oil fired); Power Scrubbers; Power Sweepers; Pumps (under 4 inch discharge); Signalmen, Submersible Pumps (under 4 inch discharge). Directional Drill Locator and Allen Screed Concrete Paver. Fueling and greasing (plus \$3.00), compact cranes; track or rubber under 4,000 pounds.

Class 6 - Master Mechanic

Class 7 - Boom & Jib 150 - 180 feet

Class 8 - Boom & Jib 180 - 249 feet

Class 9 - Boom & Jib 250 - or over



FAYETTE, FRANKLIN, FULTON, GALLIA,  
 GREENE, GUERNSEY, HAMILTON,  
 HANCOCK, HARDIN, HARRISON, HENRY,  
 HIGHLAND, HOCKING, HOLMES, JACKSON,  
 JEFFERSON, KNOX, LAWRENCE, LICKING,  
 LOGAN, MADISON, MARION, MEIGS,  
 MERCER, MIAMI, MONROE, MONTGOMERY,  
 MORGAN, MORROW, MUSKINGUM, NOBLE,  
 PAULDING, PERRY, PICKAWAY, PIKE,  
 PREBLE, PUTNAM, RICHLAND, ROSS,  
 SCIOTO, SENECA, SHELBY, TUSCARAWAS,  
 UNION, VAN WERT, VINTON, WARREN,  
 WASHINGTON, WAYNE, WILLIAMS,  
 WYANDOT

**Special Jurisdictional Note :** Hod Carriers and Common Laborers - Heavy, Highway, Sewer, Waterworks, Utility, Airport, Railroad, Industrial and Building Site, Sewer Plant, Waste Water Treatment Facilities Construction

**Details :**

Group 1

Laborer (Construction); Plant Laborer or Yardman, Right-of-way Laborer, Landscape Laborer, Highway Lighting Worker, Signalization Worker (Swimming) Pool Construction Laborer, Utility Man, Bridge Man, Handyman, Joint Setter, Flagperson, Carpenter Helper, Waterproofing Laborer, Slurry Seal, Seal Coating, Surface Treatment or Road Mix Laborer, Riprap Laborer & Grouter, Asphalt Laborer, Dump Man (batch trucks), Guardrail & Fence Installer, Mesh Handler & Placer, Concrete Curing Applicator, Scaffold Erector, Sign Installer, Hazardous Waste (level D), Diver Helper, Zone Person and Traffic Control.

Group 2

Asphalt Raker, Screwman or Paver, Concrete Puddler, Kettle Man (pipeline), All Machine-Driven Tools (Gas, Electric, Air), Mason Tender, Brick Paver, Mortar Mixer, Skid Steer, Sheeting & Shoring Person, Surface Grinder Person, Screedperson, Water Blast, Hand Held Wand, Power Buggy or Power Wheelbarrow, Paint Striper, Plastic fusing Machine Operator, Rodding Machine Operator, Pug Mill Operator, Operator of All Vacuum Devices Wet or Dry, Handling of all Pumps 4 inches and under (gas, air or electric), Bottom Person, Welder Helper (pipeline), Concrete Saw Person, Cutting with Burning Torch, Pipe Layer, Hand Spiker (railroad), Underground Person (working in sewer and waterline, cleaning, repairing and reconditioning). Tunnel Laborer (without air), Caisson, Cofferdam (below 25 feet deep), Air Track and Wagon Drill, Sandblaster Nozzle Person, Hazardous Waste (level B), Lead Abatement, Hazardous Waste (level C)

Group 3

Blast and Powder Person, Muckers (with miners), Wrencher (mechanical joints & utility pipeline), Yarnier, Top Lander, Hazardous Waste (level A), Concrete Specialist, Curb Setter and Cutter, Concrete Crew in Tunnels. Utility pipeline Tappers, Waterline, Caulker, Signal Person, Grade Checker

Group 4

Miner, Welder, Gunnite Nozzle Person

## PLAN HOLDERS LIST

### BR. 24-4.58

U.S. Bridge  
201 Wheeling Avenue  
P.O. Box 757  
Cambridge, OH 43725  
1-888-872-7434 (Phone)  
1-740-439-7349 (Fax)  
Attn: Greg Bickle

Builders Exchange-Dayton  
2077 Embury Park Road  
Dayton, OH 45414  
1-866-907-6300  
1-937-278-3843 (Fax)

McGraw-Hill/Dodge Reports  
950 Contract Street  
Suite 100-A  
Lexington, KY 40505  
859-425-6630 (Phone)  
859-294-5188 (Fax)

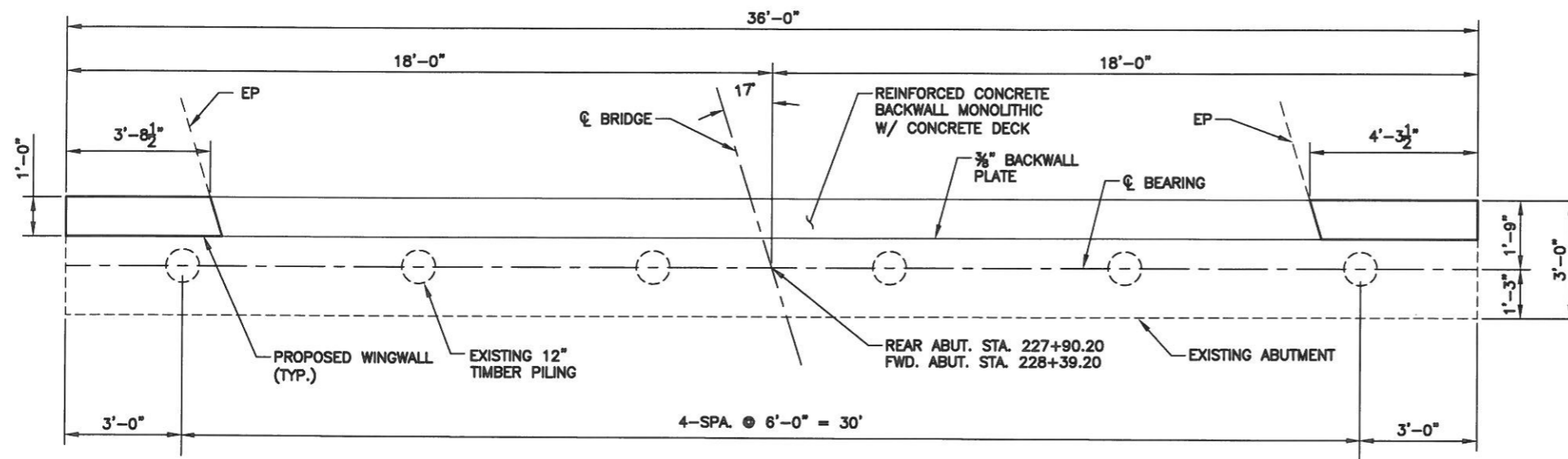
Ohio Construction News  
7261 Engle Road, Suite 304  
Cleveland, OH 44130  
800-969-4700 (Phone)  
800-229-4626 (Fax)

Laborers-Employers Cooperation and Education Trust  
P.O. Box 46217  
Cincinnati, OH 45246  
614-832-7134 (Phone)  
614-839-9298 (Fax)  
Attn: Carmen D. Henderson  
swo-lect@cinci.rr.com



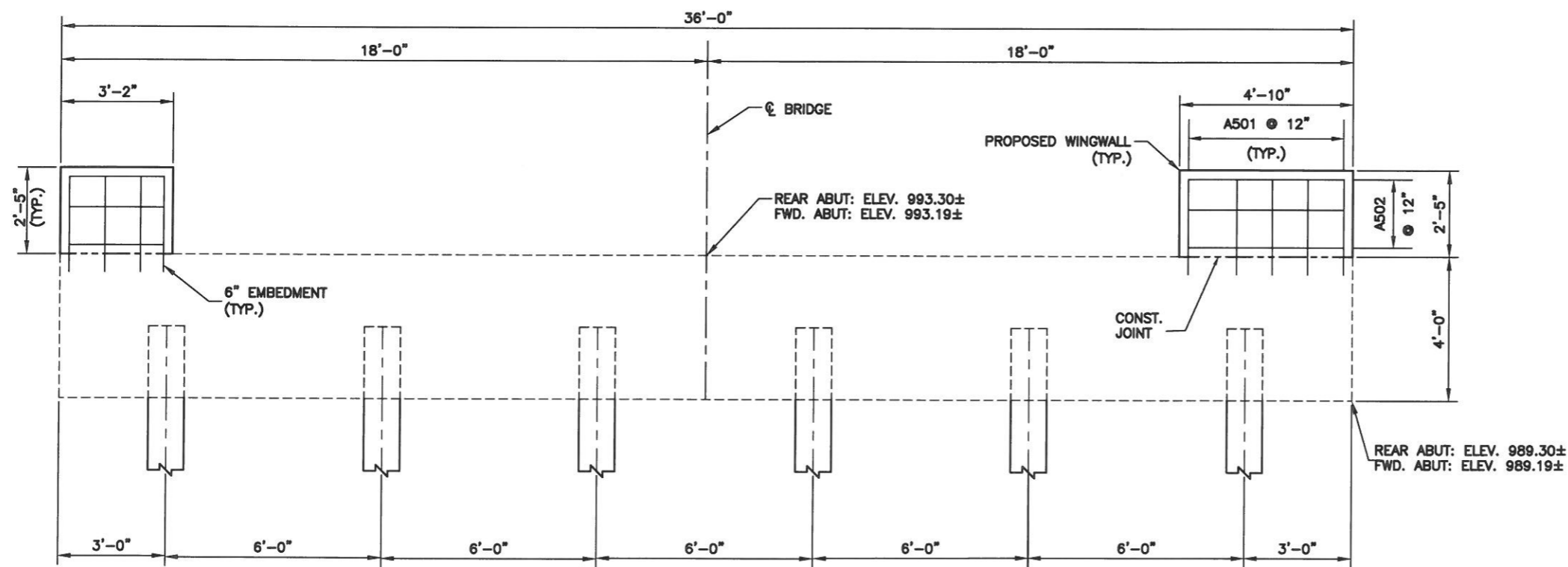




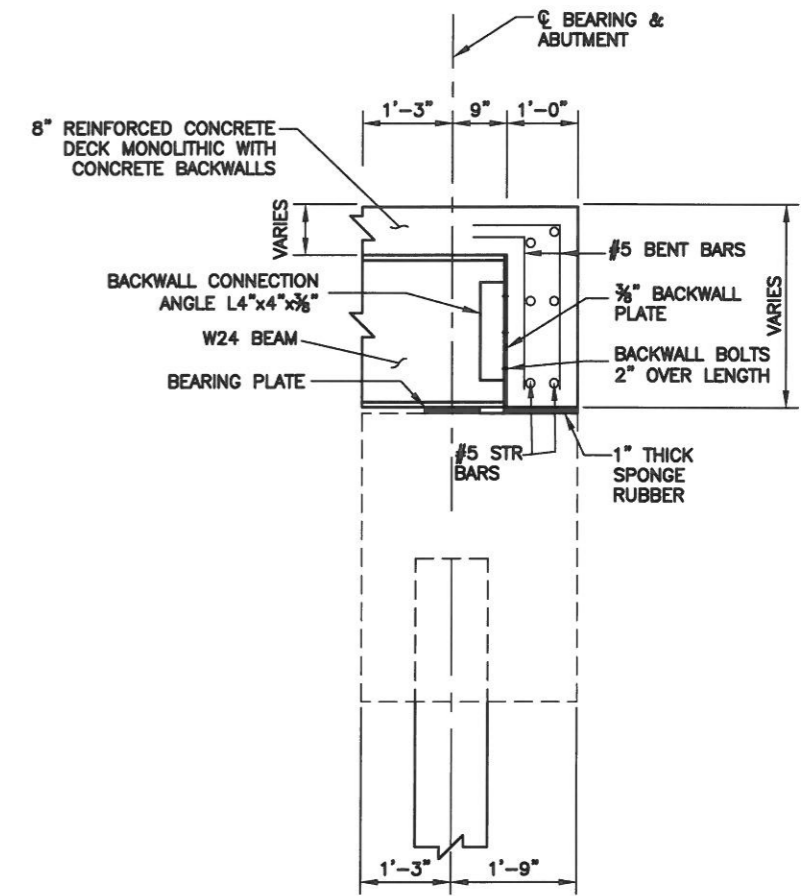


PLAN

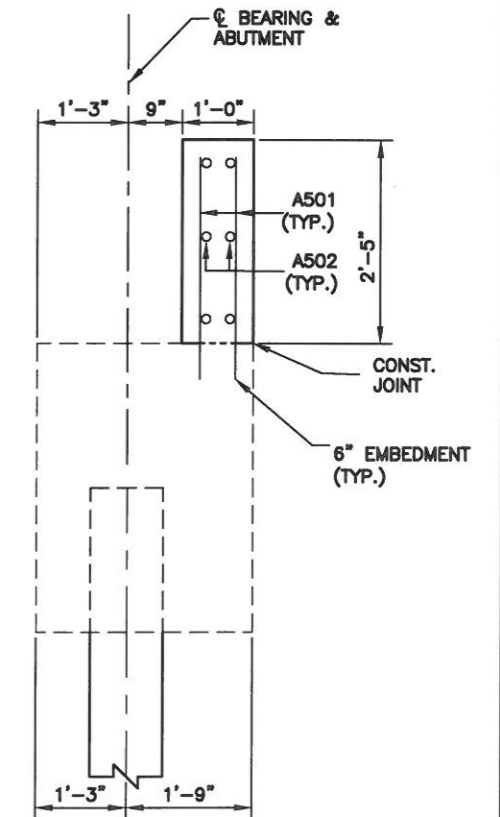
- NOTES:**
1. ALL REINFORCING STEEL SHALL HAVE 3" MIN. CLEAR COVER.
  2. EXISTING BACKWALL TO BE REMOVED.
  3. BACKWALL PLATE BOLTS SHALL BE 2" OVER LENGTH TO ALLOW FOR EMBEDMENT INTO BACKWALL CONCRETE.



ELEVATION  
LOOKING AT FRONT FACE  
OF REAR & FWD. ABUTMENTS

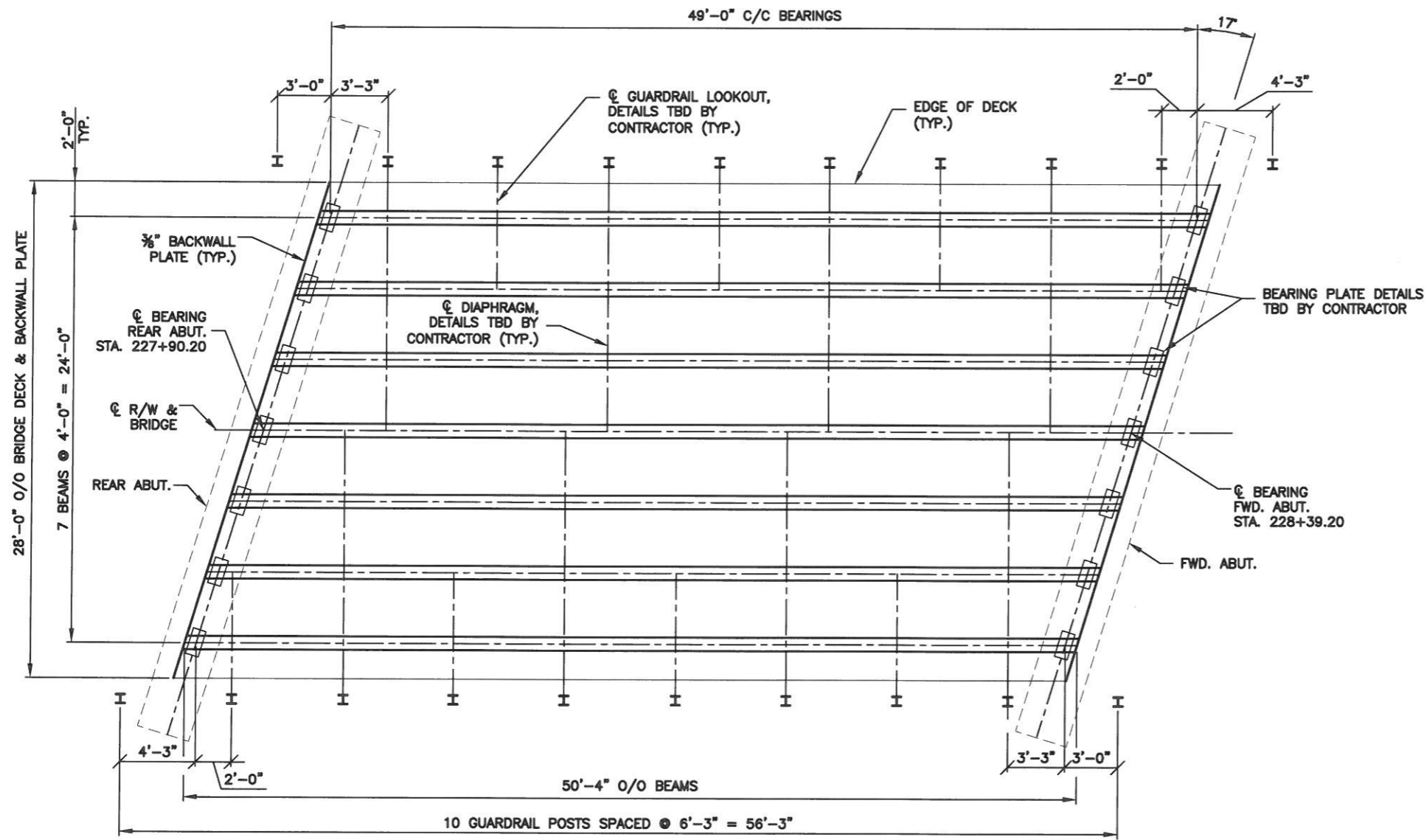


SECTION @ ABUTMENT

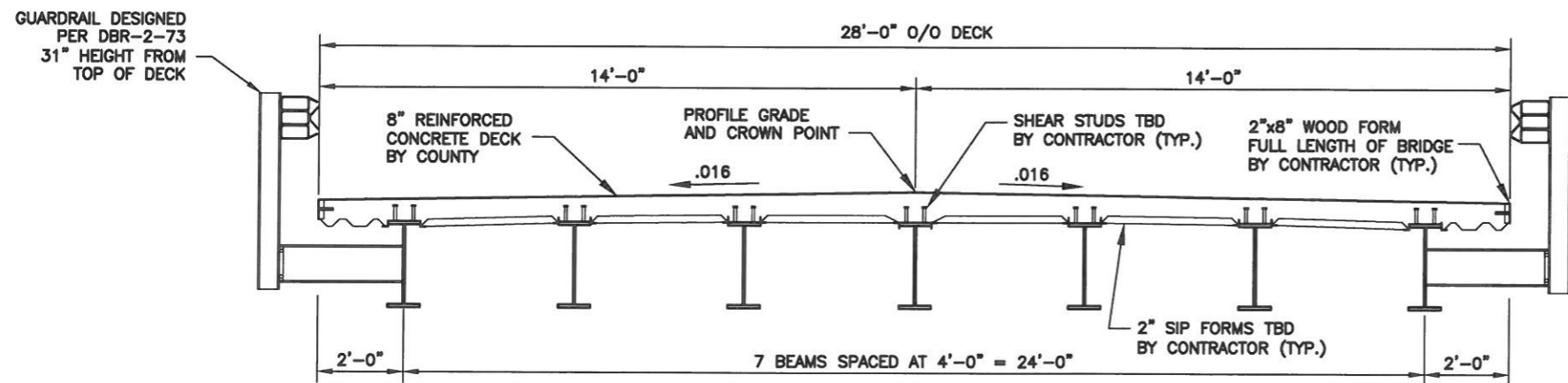


SECTION @ WINGWALL





DECK FRAMING PLAN



TRANSVERSE SECTION

**SUPERSTRUCTURE NOTES:**

DESIGN LOADING: HL-93 AND 60 PSF FUTURE WEARING SURFACE

MATERIAL: ALL SUPERSTRUCTURE STEEL SHALL BE GRADE 50 (A572). ALL STEEL SHALL BE HOT-DIPPED GALVANIZED AFTER FABRICATION. ALL FASTENERS SHALL BE HIGH STRENGTH BOLTS, ASTM A325 TYPE 1 (GALV.) WITH ASTM A563 GRADE DH OR DH3 NUTS AND ASTM F436 WASHERS IF APPLICABLE.

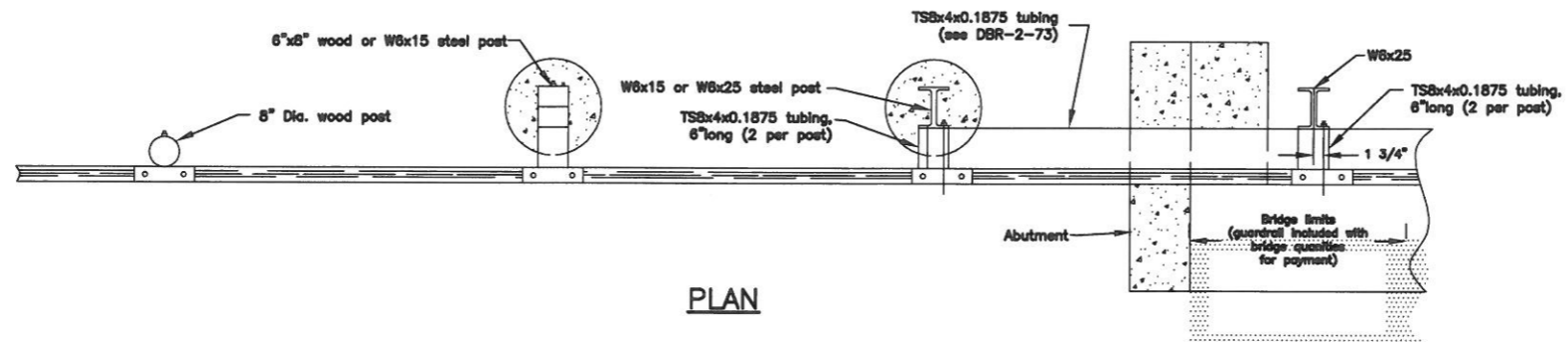
REFER TO BID SPECIFICATIONS FOR OTHER DETAILS AND NOTES.

LOGAN COUNTY ENGINEER'S OFFICE  
1991 C.R. 13, P.O. BOX 427  
BELLEFONTAINE, OHIO 43311

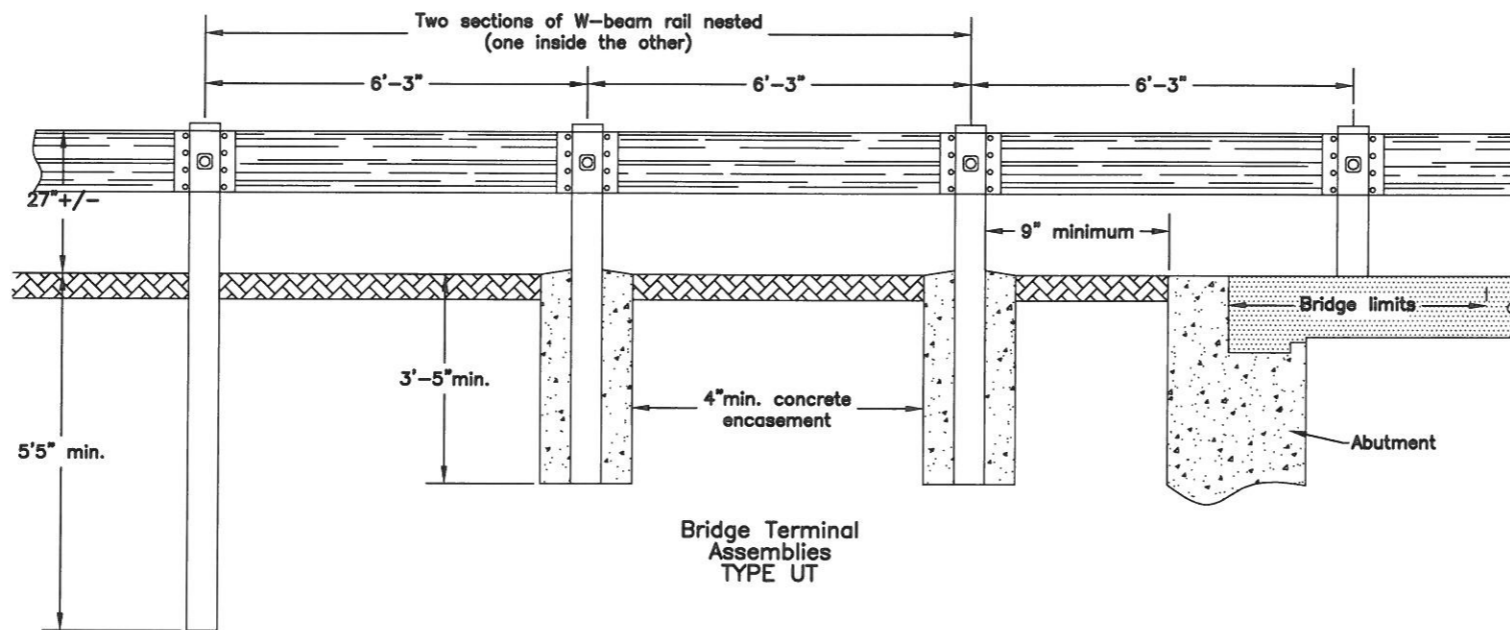
DESIGNED	BDD	CHECKED	SCC
DRAWN	MJK	REVISION	
REVIEWED	SCC	DATE	11/27/2013
		STRUCTURAL FILE NUMBER	4632052

SUPERSTRUCTURE DETAILS  
BRIDGE 24-4.58 OVER INDIAN CREEK,  
A TRIBUTARY OF GREAT MIAMI RIVER

BRIDGE 24-4.58



PLAN



Bridge Terminal Assemblies TYPE UT

ELEVATION

	<b>BRIDGE 24-4.58</b>	<b>GUARDRAIL &amp; REINFORCING STEEL DETAILS</b> BRIDGE 24-4.58 OVER INDIAN CREEK, A TRIBUTARY OF GREAT MIAMI RIVER	DESIGNED <b>BDD</b>	DRAWN <b>MAK</b>	REVIEWED <b>SCC</b>	DATE <b>11/27/2013</b>	DESIGN AGENCY <b>LOGAN COUNTY ENGINEER'S OFFICE</b> 1991 C.R. 13, P.O. BOX 427 BELLEFONTAINE, OHIO 43311
			CHECKED <b>SCC</b>	REVISED .	STRUCTURAL FILE NUMBER <b>4632052</b>		